

AICOK

Instruction Manual for kettle HQ-1302B

Aicok Home Essentials Live Comfortable



www.aicok.cc

Important Safety Instructions

Please keep this instruction manual in a safe place, along with the warranty card, purchase receipt and carton for future reference. The safety precautions enclosed herein reduce the risk of fire, electric shock and injury when correctly adhered to.

- 1: Do not attempt to repair, disassemble or modify the appliance.
- 2: If the supply cord is damaged, it must be replaced by the manufacturer or its service agent or a similarly qualified person in order to avoid a hazard.
- 3: This appliance is not intended for use by persons (including children) with reduced physical, sensory or mental capabilities, or lack of experience and knowledge, unless they have been given supervision or instruction concerning use of the appliance by a person responsible for their safety.
- 4: Young children should be supervised to ensure that they do not play with the appliance.
- 5: Do not operate the appliance outdoors.
- 6: Power plug must be removed from power socket before cleaning, servicing, maintenance or moving the appliance.
- 7: The appliance should be placed on a flat surface when operating to avoid overturning.
- 8: The kettle is only to be used with the stand provided.
- 9: This appliance is intended to be used in household and similar applications such as:
 - staff kitchen areas in shops, offices and other working environments;
 - farm houses;
 - by clients in hotels, motels and other residential type environments;
 - bed and breakfast type environments;
- 10: Do not move while the kettle is switched on.

Operating Instructions

- 1: Make sure that the filter is pressed into the holes of the lid tongue and fitted correctly.
- 2: Fill the water into the kettle, make sure the water capacity does not exceed the maximum level.
- 3: Ensure the lid is closed fully.
- 4: Plug in.
- 5: Put the kettle body onto the base.
- 6: Switch the unit on, make sure the indicating light on.
- 7: When the water is boiled, the unit will automatically cut-off and the indicating light will turn off.
- 8: If the water has to be reheated, please switch the unit on after several minutes of cooling down.

Caution

- 1: Always keep the unit away from children.

- 2:Never overfill the kettle,make sure the water level is below the maximum level,because boiling water may be ejected.
- 3:Make sure the unit will be on a flat and secure surface before being switch on.
- 4:Make sure that all electrical connections are clean and dry.
- 5:Make sure the lid is correctly and securely fitted before switching the unit on.
- 6:Never leave the filter loose in the kettle,it can only be placed on the lid tongue.
- 7:Never remove the filter when the kettle contains hot water.
- 8:Never fill the kettle while on its base.If the base unit becomes wet,unplug it prior to cleaning.
- 9:Make sure the kettle is disconnected from the main supply when not in use.

This kettle is for domestic use only.

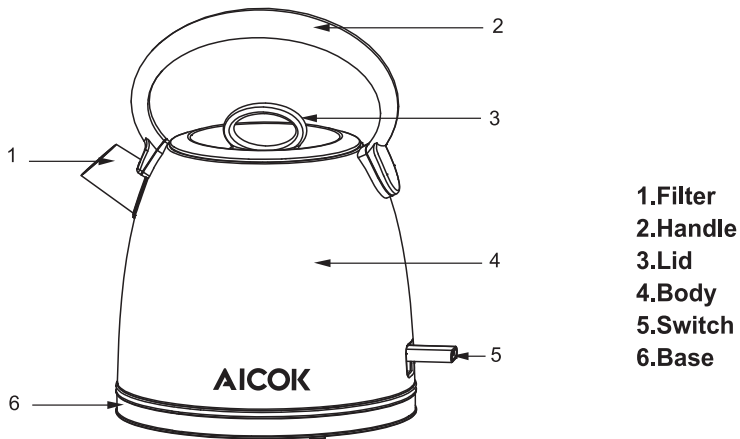
WARNING: Position the lid so that steam is directed away from the handle.

WARNING: Do not remove the lid while the water is boiling.

WARNING: Do not Switch the unit on while the unit is without water.

Important Features of Your Kettle

Picture here with all parts name



Cleaning Instructions

CLEANING

Always disconnect the kettle from the main supply when cleaning.

A:Kettle Body Cleaning.

Scale Build Up is a common problem,and water purifier and periodic cleaning will always be recommended.

Scale Build Up will damage the function of the heating element and impair the function of the dry boil protector.

- a. To clean the inside of the kettle,please fill kettle with water,then add 2ml of white vinegar and let the mixture boil.
- b. Unplug the unit,empty the kettle.
- c. Re-clean at least three times with water to remove the particles.

B.Filter Cleaning.

a.Take out and place the filter under a tap and rub gently with your fingers.

Be careful not to use anything that will tear the filter when cleaning.

b.Dip in a proprietary descaling agent and rub gently then rinse.

c.Descale your filter at regular intervals in order not to impair the pouring performance of your kettle.

SPECIFICATION

Voltage:120V 60Hz

Power: 1500W

Capacity:1.7 L

Disposal Information



Waste electrical products should not be disposed of with household waste. Please recycle where facilities exist. Check with your local authority for recycling advice.

Manufacturer information

Company: Shenzhen Impression E-commerce Co.,Ltd

Address: Booth No.3H012,Trading Plaza,No.5,Huanan city,Pinghu Street,Longgang District,Shenzhen,China

Facebook Page: <https://www.facebook.com/aicoks/>

Website: www.aicok.cc



Intertek
4002251

MADE IN CHINA