

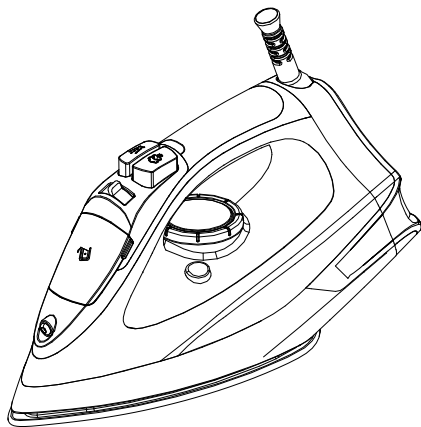
# INSTRUCTIONS

FULL

FUNCTION

STEAM IRON

ES2376_01/ ES2376A_01	220-240V 1650-1960W
ES2376_02/ ES2376A_02	220-240V 1830-2200W



Cuori Electrical Appliances (Group) Co., Ltd.  
No48 ,developing road,zhouxiang Town ,cixi city,  
Zhejiang 315324,P.R.China

## IMPORTANT SAFETY INSTRUCTIONS

When using your flatiron, basic safety precautions should always be followed, including the following:

### **READ ALL INSTRUCTIONS BEFORE USING**

1. Use iron only for its intended use.
2. To protect against a risk of electric shock, do not immerse the iron in water or other liquids.
3. The iron should always be turned to ‘ Off ’ before plugging or unplugging from outlet. Never yank cord to disconnect from outlet; instead, grasp plug and pull to disconnect.
4. Do not allow cord to touch hot surfaces. Let iron cool completely before putting away. Loop cord loosely around iron when storing.
5. Always disconnect iron from electrical outlet when filling with water or emptying and when not in use.
6. Do not operate iron with a damaged cord or if the iron has been dropped or damaged. To avoid the risk of electric shock, do not disassemble the iron take it to a qualified serviceman for examination and repair. Incorrect reassembly can cause a risk of electric shock when the iron is used.
7. Close supervision is necessary for any appliance being used by or near children. Do not leave iron unattended while connected or on an ironing board.
8. Burns can occur from touching hot metal parts, hot water, or steam. Use caution when you turn a steam iron upside down – there may be hot water in the reservoir.
9. If the malfunction indicator goes on, the flatiron is not operating normally. Disconnect from the power supply and have the flatiron serviced by qualified service personnel.

## SPECIAL INSTRUCTIONS

1. To avoid a circuit overload, do not operate another high wattage appliance on the same circuit.
2. If an extension cord is absolutely necessary, a 10-ampere cord should be used. Cords rated for less amperage may overheat. Care should be taken to arrange the cord so that it cannot be pulled or tripped over.

### SAVE THESE INSTRUCTIONS

#### More specifically:

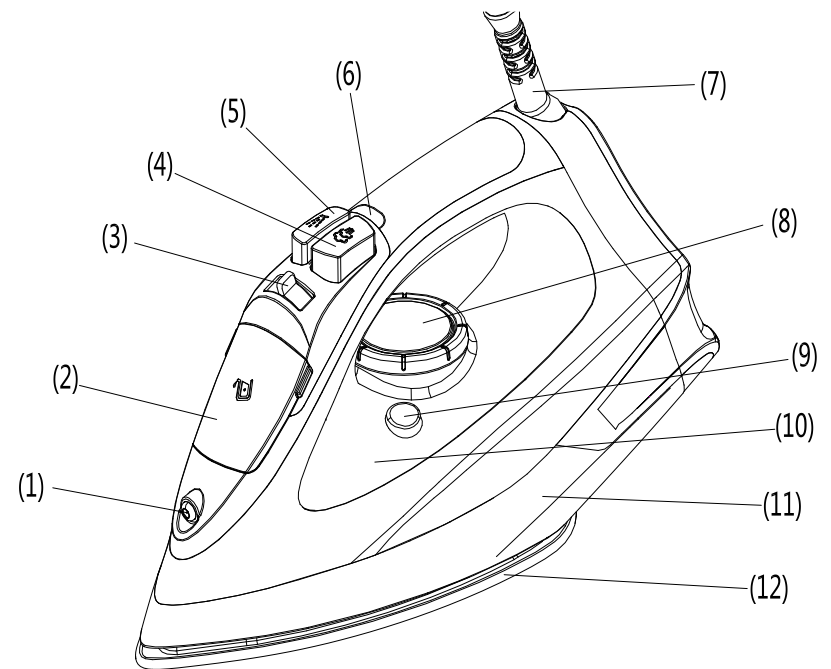
- DO NOT** let children or untrained persons use the appliance without supervision.
- NEVER** immerse the iron, cable or plug in any liquid.
- DO NOT** leave the hot iron touching fabrics or very inflammable surfaces.
- DO NOT** leave the appliance unnecessarily plugged in. Disconnect the plug from the mains when the appliance is not being used.
- NEVER** touch the appliance with wet or damp hands.
- DO NOT** use the power cord or the appliance in order to pull the plug out of the socket.
- DO NOT** leave the appliance exposed to the weather (rain, sun, etc. ).
- DO NOT** leave the iron without supervision when it is connected to the power supply.
- DO NOT** fill the reservoir with water before removing the plug from the socket.

#### PLEASE NOTE!

**Do not use chemical additive, scented substances or decalcifiers. Failure to comply with the above-mentioned regulations leads to the loss of guarantee.**

## DESCRIPTION OF DEVICE

- |                            |                               |
|----------------------------|-------------------------------|
| (1). Spray organ           | (2). Fill cover               |
| (3). steam button          | (4). Shot-steam button        |
| (5). <b>Spray button</b>   | (6). <b>Lampshade</b>         |
| (7). Cord bush             | (8). <b>Thermostatic knob</b> |
| (9). Self-cleaning button  | (10). <b>Water lank</b>       |
| (11). <b>Plastic skirt</b> | (12). <b>Soleplate</b>        |



## ANTI-CALC SYSTEM

A special resin filter inside the water reservoir softens the water and prevents scale build-up in the plate. The resin filter is permanent and does not need replacing.

**Please note:**

**Use tap water only. Distilled and/demineralised water makes the “Zero-Calc” anti-calc system ineffective by altering its physicochemical characteristics.**

**Do not use chemical additives, scented substances or decalcifiers. Failure to comply with the above-mentioned regulations leads to the loss of guarantee.**

## ANTI-DRIP SYSTEM

With the anti-drip system, you can perfectly iron even the most delicate fabrics.

Always iron these fabrics at low temperatures. The plate may cool down to the point where no more steam comes out, but rather drops of boiling water that can leave marks or stains. In these cases, the Anti-drip system automatically activates to prevent vaporization, so that you can iron the most delicate fabrics without risk of spoiling or staining them.

## AUTOMATIC SHUT OFF (ONLY ES2332-01 ES2332-02 )

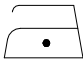
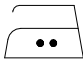
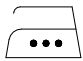

The automatic shut off device trips after the iron has been left for approx. eight minutes in the upright position or unused for approx. Thirty seconds in the horizontal position. The light comes on to indicate that shut off has tripped. As soon as you move the iron, the device turns off and the iron starts working again.

## GENERAL INSTRUCTIONS

When using the iron for the first time, you may notice a slight emission of smoke and hear some sounds made by the expanding plastics. This is quite normal and it stops after a short time. We also recommend passing the iron over an ordinary cloth before using it for the first time.

## PREPARATIONS

Soft the laundry to be ironed according to the international symbols on the garment label, or if this is missing, according to the type of fabric.

GARMENT LABEL	FABRIC TYPE	THERMOSTAT REGULATION
	synthetic	• low temperature
	silk - wool	•• medium temperature
	Cotton - linen	••• high temperature
	Fabric not to be ironed	

Start ironing the garments requiring a low temperature.

This reduces the waiting times (the iron takes less time to heat up than to cool down) and eliminates the risk of scorching the fabric.

## STEAM IRONING

### Filling the reservoir

- Check that the plug is disconnected from the socket.
- Move the steam selector (3) to “0” [Fig. 1].
- Open the lid (2).
- Raise the tip of the iron to help the water enter the opening without overflowing.
- Slowly pour the water into the reservoir using the special measure (12) and taking care not to go over the maximum level (about 260ml) indicated by “MAX” on the reservoir [Fig. 2].
- Close the lid (2).

### Selecting the temperature.

- Put the iron in a vertical position.
- Put the plug in the socket.
- Adjust the thermostat knob (9) according to the international symbol on the garment label [Fig. 3]. The plate temperature control light (8) indicates that the iron is heating up. Wait until the plate temperature control light goes off before ironing.

**Warning:** *during ironing, the plate temperature control light (8) comes on at intervals, indicating that the selected temperature is maintained. If you lower the thermostat temperature after ironing at a high temperature, do not start ironing until the plate temperature control light comes on again.*

### Selecting the steam.

The quantity of steam is regulated by the steam selector (3).

- Move the steam selector to a position between minimum and maximum depending on the quantity of steam required and the temperature selected [Fig. 1].

**Warning:** *the iron gives off steam continuously only if you hold the iron horizontally. You can stop the continuous steam by placing the iron in a vertical position or by moving the steam selector to “0”. As indicated on the thermostat knob (9) and in the initial table, you can only use steam at the highest temperatures. If the selected temperature is too low, water may drip onto the plate.*

### Selecting Shot-steam and steam when ironing vertically.

Press the shot-steam button (4) to generate a powerful burst of steam that can penetrate the fabrics and smooth the most difficult and tough creases. Wait for a few seconds before pressing again [Fig. 4].

By pressing the shot-steam button at intervals you can also iron vertically (curtains, hung garments, etc.) [Fig. 5].

**Warning:** *the shot-steam function can only be used at high temperatures. Stop the emission when the plate temperature control light (8) comes on, than start ironing again only after the light has gone off.*

## DRY IRONING

To iron without steam, follow the instructions in section “steam ironing”, leaving the steam selector (3) on position “0”.

### Spray Function

Make sure that there is water in the reservoir. Press the spray button (5) slowly (for a dense spray) or quickly (for a vaporized spray) [Fig. 6].

**Warning:** *for delicate fabrics, we recommend moistening the fabric beforehand using the spray function (5), or putting a damp cloth between the iron and the fabric. To avoid staining, do not use the spray on silk or synthetic fabrics.*

## CLEANING

**Please note: before cleaning the iron in any way, make sure that the appliance plug is not connected to the socket.**

Any deposits, starch residue or size left on the plate can be removed using a damp cloth or an unabrasive liquid detergent.

Avoid scratching the plate with steel wool or metallic objects.

The plastic parts can be cleaned with a damp cloth then wiped over with a dry cloth.

## SELF-CLEANING

The self-cleaning feature cleans inside the plate, removing impurities. We recommend using it every 10-15days. Directions:

-Fill the reservoir up to the maximum level indicated and set the steam selector (3) to “0”

-Set the thermostat knob (9) to the maximum temperature and wait for the light (8) to turn off.

-Pull the plug out of the socket and hold the iron horizontally over the sink.

-Hold the cleanout button (10) setting until all the boiling water, steam, impurities come out [Fig. 7].

-When the soleplate has cooled down, you can clean it with a damp cloth.

## HOW TO PUT IT AWAY

- Disconnect the plug of the iron from the socket.
- Empty the reservoir by turning the iron upside down and gently shaking it.
- Leave the iron to cool down completely.
- Roll up the power cord with the rewinder **[Fig. 8]**.
- Always put the iron away in a vertical position.

## ADVICE FOR GOOD IRONING

We recommend using the lowest temperatures with fabrics that have unusual finishes (sequins, embroidery, flush, etc.).

If the fabric is mixed (e.g. 40% cotton 60% synthetics), set the thermostat to the temperature of the fibre requiring the lower temperature.

If you don't know the composition of the fabric, determine the suitable temperature by testing on a hidden corner of the garment. Start with a low temperature and increase it gradually until it reaches the ideal temperature.

Never iron areas with traces of perspiration or other marks: the heat of the plate fixes the stains on the fabric, making them irremovable.

The size is more effective if you use a dry iron at a moderate temperature: excess heat scorches it with the risk of forming a yellow mark.

To avoid marking silk, woolen or synthetic garments shiny, iron them inside out.

To avoid marking velvet garments shiny, iron in one direction (following the fibre) and do not press down on the iron.

The heavier the washing machine is loaded, the more garments come out creased.

This also happens when the spin drying revolutions are very high.

Many fabrics are easier to iron if they are not completely dry.

For example, silk should always be ironed damp.

## PLEASE NOTE!

- If the supply cord is damaged, it must be replaced by the manufacturer or its service agent or a similarly qualified person in order to avoid a hazard
- This appliance is not intended for use by persons (including children) with reduced physical, sensory or mental capabilities, or lack of experience and knowledge, unless they have been
- Given supervision or instruction concerning use of the appliance by a person responsible for their safety.
- Children should be supervised to ensure that they do not play with the appliance
- The iron must not be left unattended while it is connected to the supply mains
- The plug must be removed from the socket-outlet before the water reservoir is filled with water
- The iron must be used and rested on a stable surface
- When placing the iron on its stand, ensure that the surface on which the stand is placed is stable
- The iron is not to be used if it has been dropped, if there are visible signs of damage or if it is leaking
- This appliance can be used by children aged from 8 years and above and persons with reduced physical, sensory or mental capabilities or lack of experience and knowledge if they have been given supervision or instruction concerning use of the appliance in a safe way and understand the hazards involved. Children shall not play with the appliance. Cleaning and user maintenance shall not be made by children without supervision

- Keep the iron and its cord out of reach of children less than 8 years of age when it is energized or cooling down.

Correct Disposal of this product



This marking indicates that this product should not be disposed with other household wastes throughout the EU. To prevent possible harm to the environment or human health from uncontrolled waste disposal, recycle it responsibly to promote the sustainable reuse of material resources. To return your used device, please use the return and collection systems or contact the retailer where the product was purchased. They can take this product for environmental safe recycling.

