

Caution

1. If the indicator light keeps flashing fast when the machine is powered on, it means that the system temperature is too high, please wait for at least 1 minute or pour some cold water into water tank and restart the machine.
2. When less than **3.5 oz.** of water is poured into water tank, the system may not detect it and remain in the high-temperature condition so that the water may cannot be pumped out. Please pour at least 3.5 oz. water for use.
3. Once you find the machine pumps water slowly, you need descale and clean the water tank.
4. At least one copy of this manual should be kept in some place safe available all the time to maintenance and management staff.

Important Safeguards

When using an electrical appliance, basic safety precautions should always be followed including the following:

1. Read all instructions.
2. Do not touch hot surface.
3. To protect against fire, electric shock and injury to persons, do not immerse cord, plugs, or body in water or other liquid.
4. Close supervision is necessary when any appliance is used by or near children.
5. Unplug from outlet when not in use and before cleaning. Allow to cool before putting on or taking off parts and before cleaning the appliance.
6. Do not operate appliance with a damaged cord or plug.
7. Do not let cord hang over edge of table or counter or touch hot surface.
8. Do not place on or near a hot gas or electric burner or in a heated oven.
9. Scalding may occur if the lid is removed during the brewing cycles.
10. Do not use the appliance if socket, cord or unit is damaged.
11. Please keep these instructions for reference.

Environment Friendly Disposal

You can help protect the environment! Please remember to respect the local regulations: hand in the non-working electrical equipment to an appropriate waste disposal center.



Shenzhen Impression E-commerce Co.,Ltd
Plaza.No.5,Huanan city,Pinghu Street,Longgang District,
Shenzhen,China
Facebook Page: <https://www.facebook.com/aicoks/>
Website: www.aicok.cc
Made in China

-4-

AICOK

K-CUP COFFEE MAKER

CM-801



User Manual

Household Use Only

135mm

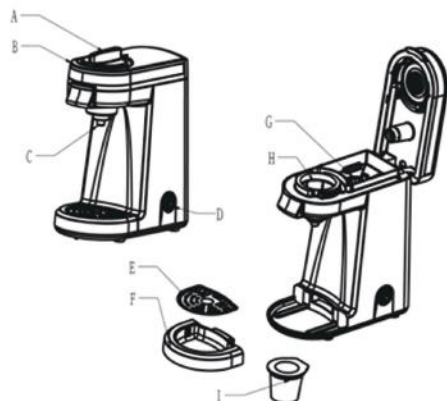
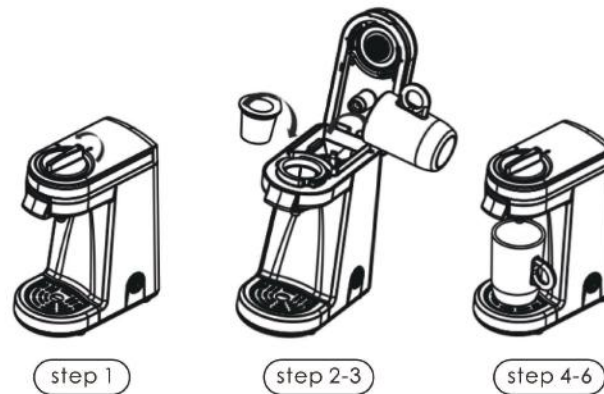
Aicok Coffee Maker User Manual

Thank you for purchasing the Aicok Coffee Maker Product that is designed to provide consistent brewing results for a satisfying brewing experience every time. The advanced brewing technology and settings packed into this durable and modern product will amaze and delight.

This user manual will provide you with the basic operation and functions that will enable you to quickly understand how to use your Aicok Coffee Maker Product. Please read these instructions carefully before use.

Know Your Coffee Maker

- A. Locker Knob
- B. Lid Assembly
- C. Coffee Outlet
- D. Power Button
- E. Drip Tray Cover
- F. Drip Tray
- G. Water Tank with Filter Basket (max: 12 oz.)
- H. Capsule Chamber
- I. Capsule for K-Cup

**How to Use Your Coffee Maker**

1. Turn the Locker Knob to unlocked position; lift up the Lid Assembly to open. (step 1)
2. Pour the right amount of water into the water tank, the water should not exceed max 12.7 oz. and no less than 3.5 oz. (step 2-3).

NOTE: When pour water into the water tank, the Filter Basket must be fit on the water tank to avoid the coffee powder or other dust fall into the water tank.

3. Put a Capsule into the Capsule Chamber (step 2-3) and press it down.
4. Close the Lid Assembly and turn the Locker knob to Locker position (step 4-6)
5. Place cup on the Drip Tray Cover. Please make sure that the middle of the cup is under the Coffee Outlet. (step 4-6)

NOTE: Remove drip tray to adjust the height of the Cup.

6. Plug into the power supply and press the power button to turn on the machine. The indicator light will flash as the boiler heats up. After heating, the water is pumped out and the light will be on till the end of brewing.
7. The machine will shut off automatically after brewing.
8. Power button has brew-interrupt feature, one push to stop, one to re-start.
9. Please just brew water to clean the water tank for the first use or for use after a long period of time.

NOTE: Don't try to open the Lid Assembly when the machine is working.

-2-

Cleaning and Maintenance**To clean the outside of the brewer:**

1. Unplug the machine and let it cool down before cleaning.
2. Use a clean damp cloth to clean all outside surface. Do not use harsh abrasives to clean.
3. When cleaning the Capsule Chamber, you can take out and rinse the coffee outlet periodically, place cup on the Drip Tray Cover and then pour some pure water to the Capsule Chamber to clean it.

NOTES: 1). Please pay attention to the stainless steel Piercing tip on the bottom of the K-cup Holder and a sharp Plastic Piercing tip that punctures the K-cup on the underneath side of the lid assembly, to avoid risk of injury. 2). Please pay attention to the sealing around the coffee outlet, and don't forget to clean it.

4. Remove drip tray from the machine and lift drip tray cover off the drip tray. Wash all pieces with soap and water.

To descale the inside of the Brewer Unit

Step 1 Fill the water tank with 12.7 oz. water with household scale remover (ratio 4:1); you can also use citric acid with ratio 3%, then close the lid assembly, place a cup on the drip tray and press power button to descale the machine.

Step 2 Empty and rinse the cup after finishing the Step 1, please pour about 12oz. pure water into water tank, and then press Power Button to implement rinsing process until the light is off.

Step 3 Repeat Step 2 to remove any remaining descaling material if necessary. Also you can take out the filter basket, and directly pour no more than 12.7 oz. pure water into the water tank and shake the machine some more times to clean it, and then pour off the dirty water.

Step 4 Please descale for the water tank in a periodical time.

Maintenance is NOT provided in the following circumstances:

- a. Improper use such as improper installation or not using according to the instruction.
- b. Appliance has been disassembled by unauthorized person.
- c. Damage by natural caused.

Storage

1. Please store the appliance out of reach of children.
2. Storage space should be dry and clean, no direct sun exposure and away from heat sources.

-3-